

# AV5100

## 5 Megapixel IP-camera

AV5100M (Color)

AV5100DN (Day/Night)

AV5100-AI (Color Auto-Iris)

MegaVideo® Series

*AV5100 Series network camera delivers full motion progressive scan 2592 x 1944 video at 9 fps featuring massively-parallel MegaVideo® image processing architecture capable of sustaining over 6 billion operations per second.*

### Arecont Vision Advantages:

#### Superior Low Light Performance

- 1/2" CMOS Sensor

#### Unparalleled High Definition Resolution - 2592x1944

- Fifteen times the resolution of IP VGA or analog cameras

#### Fastest MegaPixel Image Rates

- Up to 9fps in 5 megapixel mode

#### Forensic Zooming

- Zoom live or after-event while recording full field of view in HD ... replace PTZ devices

#### Reduced Overall System Cost

- Less cameras to install, less wiring, no external power (POE), less NVR licensing fees

#### Cost Efficiency

- Comparable cost to IP VGA & analog cameras

#### Full or 1/4 Resolution

- Can be selected for either live viewing or archiving purposes

#### Other key features:

- Simultaneous full field of view and Region-of-Interest (ROI)
- Image cropping allows streaming of full density partial images
- On-camera motion detection
- Mechanical IR Cut Filter (DN Version) and more

*H.264 versions are also available*

Learn more about our products at [www.arecontvision.com](http://www.arecontvision.com)

## Model Numbers:

- AV5100M - Color
- AV5100-AI - Color Auto-Iris
- AV5100DN - Day/Night

## Imaging

- 5 megapixel CMOS image sensor
- 2592(H) x 1944(V) pixel array
- 1/2" optical format
- 2.2 µm pixel pitch
- Bayer mosaic RGB filter
- Minimum illumination of:
  - Color: 0.3 Lux @ F1.4
  - Day/Night: 0 Lux, IR sensitive
- Dynamic range 60 dB
- Maximum SNR 45 dB

## Full Field of View (FOV) Resolutions

- 2592(H)x1944(V) 5 megapixel
- 1296(H)x968(V) 1/4 resolution

## Cropped Field of View Resolution

- 2048x1536 3MP
- 1920x1200 WUXGA
- 1920x1080 ADTV-1080p
- 1600x1200 2 MP
- 1280x1024 1.3 MP
- 1280x720 HDTV-720p
- 1024x768 XGA
- 800x600 SVGA
- 704x570 PAL
- 704x480 NTSC
- 640x480 VGA
- 352x288 CIF
- 320x240 SIF

## Data Transmission

- Data Rate up to 55Mbps
- Video frame rate up to:
  - 9fps @ 2592x1944
  - 12fps @ 2560x1600
  - 15fps @ 2048x1536
  - 24fps @ 1600x1200
  - 30fps @ 1280x1024
- Motion JPEG with 21 levels of quality
- TFTP and HTTP image transmission protocols
- 100Base-T Ethernet Network Interface

## Programmability

- Auto Exposure (AE) and Gain Control (AGC) >120dB
- On-camera motion detection with 64 detection zones
- Auto backlight compensation
- Auto multi-matrix white balance
- 50/60Hz selectable flicker control
- Electronic pan, tilt, zoom (PTZ)
- Electronic image rotation - 180° flip
- Resolution windowing down to 32x32 pixels window
- Programmable shutter to minimize motion blurring for low-light mode
- Moonlight™ mode - extended exposure and proprietary noise cancellation
- Programmable resolution, brightness, saturation, gamma, sharpness, tint
- Picture-in-Picture: simultaneous delivery of full field of view and zoomed images
- Bandwidth & storage savings by running at 1/4 resolution

## Electrical

- Opto-coupled alarm or trigger input, opto-coupled alarm and flash sync output
- Power Over Ethernet (PoE): PoE 802.3af
- DC Input: auxiliary 15V-48V DC
- Power consumption 3 Watts maximum
- Optional DC AI connection (AV5100-AI)

## Regulatory Approvals

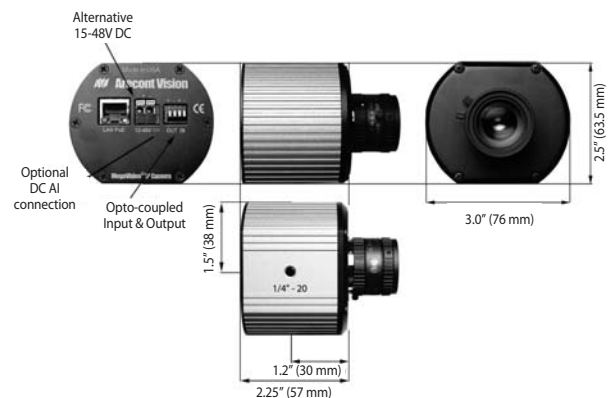
- FCC and CE compliant

## Environmental

- Operating temperature 0°C (32 °F) to +50°C (122 °F)
- Storage temperature -20°C (-4 °F) to +60°C (140 °F)
- Humidity 0% to 90% (non condensing)

## Mechanical

- 3"W (76 mm) x 2.5"H (63.5 mm) x 2.25"D (57mm) (w/o lens)
- 8.6 oz (243 grams) (w/o lens)
- C/CS lens mount



## H.264 versions available:

- (see H.264 specification sheets for more information)
- AV5105
  - AV5105 - AI
  - AV5105DN

## Housing Accessories:

- Dome 4-I - Indoor 4" Vandal Dome
- Dome 5-I - Indoor 5" Recessed Dome

## Lenses:

|                          |                            |   |
|--------------------------|----------------------------|---|
| H0514-MP<br>5mm MP Lens  | M1614-MP<br>16mm MP Lens   | LENS4-10<br>4-10mm MP Varifocal Lens        |
| LENS 6.0<br>6mm MP Lens  | M2514-MP<br>25mm MP Lens   | LENS4-13<br>4.5-13mm MP Varifocal IR Lens   |
| M0814-MP<br>8mm MP Lens  | 15M5018-MP<br>50mm MP Lens | * Other megapixel lenses are also available |
| M1214-MP<br>12mm MP Lens |                            |   |

**Arecont Vision**  
megapixel technology...  
beyond imagination

Revised on 09/24/08