



ACM-3011

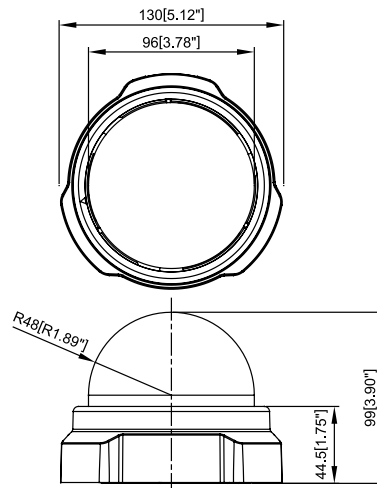


- 1/3" Micron Progressive Scan CMOS
- Day and night function with Mechanical IR Cut Filter
- Integrated f3.3~12 mm / F1.6 lens
- 0 Lux (IR LED ON)
- Selectable MPEG-4 / MJPEG compression
- VGA resolution at 30 FPS
- Multi-stream with variable frame rate in the same compression
- Two-way audio supported
- Hardware motion detection
- DC 12 V or Power over Ethernet (IEEE 802.3af) supported
- Surface and wall mount supported

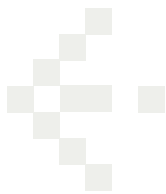


- 1 Audio Input / Output
- 3 DC 12 V Power Input
- 2 Reset Button
- 4 Ethernet Port

DIMENSION DIAGRAM



Unit: mm [inch]



PRODUCT SPECIFICATION

		ACM-3011
Image	Device	Micron Progressive Scan CMOS
	Size	1/3 inch
	Effective Pixels	640 x 480
Min. scene Illumination	Color	Color mode automatically switched to B/W mode under 4 Lux
	B/W	0 Lux (IR LED ON)
	IR Sensitivity	from 700 nm to 1100 nm
	IR LED	IR LED x24 (850 nm)
	CDS Sensor	Yes
	IR Working Distance	10 ~ 20 M (30 IRE)
Lens	Lens	f3.3 ~ 12 mm / F1.6
	Viewing Angle	89.8° ~ 13.9° (Horizontal)
Camera Angel Adjustmeny	X (Panning)	0° ~330°
	Y (Tilting)	30° ~90°
Synchronization	Sync. System	Internal
Day/Night Functions	Mechanical IR Cut Filter	Yes
Functions	Motion Detection	Yes (3 Windows)
	Electronic shutter	1/5 ~ 1/2,000 sec. (60Hz); 1/5 ~ 1/2,000 sec. (50Hz)
	Flickerless	1/120 sec. (60Hz); 1/100 sec. (50Hz)
	BLC	Yes
	AGC	Automatic (User defined)
	White Balance	AUTO, INDOOR1, INDOOR2, OUTDOOR1, OUTDOOR2, HOLD CURRENT, MANUAL
S/N Ratio	S/N Ratio	Better than 44 dB
Video Compression	Compression	MPEG-4 SP, MJPEG selectable
	Picture Resolution	VGA (640x480); QVGA (320x240); QQVGA (160 x 112)
	Bit Rate	28 K ~ 3 M bps
	Image Frame Rate	30 fps at VGA resolution
Audio Input	Compression	8kHz, Mono, PCM
	Audio Line Input	Unbalanced, 1.4Vp-p, 1Vrms, terminal block
Audio Output	Compression	8kHz, Mono, PCM
	Audio Line Output	Unbalanced, 1.4Vp-p, 1Vrms, terminal block
External I/O	Reset Button	Factory default
Casing	Mount Tpyes	Surface / Wall (option)
Network	Ethernet	Ethernet (10/100 Base-T), RJ-45 connector
	Protocol	TCP, UDP, IP, HTTP, DHCP, PPPoE, RTP, RTSP, FTP, SMTP, DNS, DDNS, NTP, ICMP, IGMP, ARP, 3GPP
	Web Browser	Microsoft Internet Explorer 6.0 or above
Software	SDK	ActiveX control, C SDK
	Security	Password protection: configured by the administrator
Operating	Temperature	-10 °C ~ 45 °C (14 °F ~ 112 °F)
Power	Power Requirement	PoE (IEEE802.3af) with Class 3
	Power Consumption	5.0W (DC 12 V); 6.8W (PoE)
Physical	Dimensions (ØxL)	130 mm x 99 mm (5.12" x 3.90")
	Weight	380 g (0.84 lb)

ORDERING INFORMATION

Model Name	Description
ACM-3011	IP Indoor D/N IR Fixed Dome

ACCESSORY OPTIONS

- Wall mount kit MTB-201-R0



MTB-201-R0

* All specifications are subject to change without notice.
 * All brand names and registered trademarks are the property of their respective owners.