



ACM-3001

IP Fixed Dome Camera

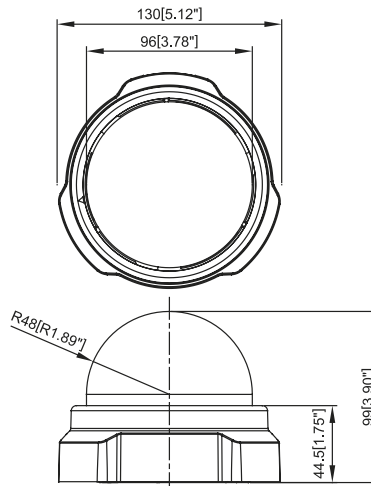


- 1/3" Micron Progressive Scan CMOS
- Integrated f4.2mm / F1.8 lens
- 0.5 Lux at F1.8
- Selectable MPEG-4 / MJPEG compression
- VGA resolution at 30 FPS
- Multi-stream with variable frame rate in the same compression
- Two-way audio supported
- Hardware motion detection
- DC 12 V or Power over Ethernet (IEEE 802.3af) supported
- Surface and wall mount supported



- | | |
|------------------------|-----------------------|
| 1 Audio Input / Output | 3 DC 12 V Power Input |
| 2 Reset Button | 4 Ethernet Port |

DIMENSION DIAGRAM



Unit: mm [inch]



PRODUCT SPECIFICATION

		ACM-3001
Image	Device	Micron Progressive Scan CMOS
	Size	1/3 inch
	Effective Pixels	640 x 480
Min. Scene Illumination	Color	0.5 Lux at F1.0 (2400 °K, 30 IRE)
	B/W	N/A
	IR Sensitivity	N/A
	CDS Sensor	N/A
Lens	Lens	f4.2 mm / F1.8
	Viewing Angle	75° (Horizontal)
Camera Angel Adjustment	X (Panning)	0° ~170°
	Y (Tilting)	0° ~90°
Synchronization	Sync. System	Internal
Day/Night Functions	Mechanical IR Cut Filter	N/A
	Motion Detection	Yes (3 Windows)
Functions	Electronic Shutter	1/5 ~ 1/2,000 sec. (60Hz); 1/5 ~ 1/2,000 sec. (50Hz)
	Flickerless	1/120 sec. (60Hz); 1/100 sec. (50Hz)
	BLC	Yes
	AGC	Automatic (User defined)
	White Balance	AUTO, INDOOR1, INDOOR2, OUTDOOR1, OUTDOOR2, HOLD CURRENT, MANUAL
S/N Ratio	S/N Ratio	Better than 44 dB
Video Compression	Compression	MPEG-4 SP, MJPEG selectable
	Picture Resolution	VGA (640x480) QVGA(320x240) QQVGA(160x112)
		Bit Rate
	Image Frame Rate	30 fps at VGA resolution
Audio Input	Compression	8kHz, Mono, PCM
	Audio Line Input	Unbalanced, 1.4Vp-p, 1Vrms, terminal block
Audio Output	Compression	8kHz, Mono, PCM
	Audio Line Output	Unbalanced, 1.4Vp-p, 1Vrms, terminal block
External I/O	Reset Button	Factory default
Casing	Mount Types	Surface / Wall (option)
	Ethernet	Ethernet (10/100 Base-T), RJ-45 connector
Network	Protocol	TCP, UDP, IP, HTTP, DHCP, PPPoE, RTP, RTSP, FTP, SMTP, DNS, DDNS, NTP, ICMP, IGMP, ARP, 3GPP
	Web Browser	Microsoft Internet Explorer 6.0 or above
Software	SDK	ACTi SDK-10000
	Security	Password protection: configured by the administrator
Operating	Temperature	-10 °C ~ 50 °C (14 °F ~ 122 °F)
Power	Power Requirement	PoE (IEEE802.3af) with Class 3
	Power Consumption	3.3 W (DC 12 V); 4.3 W (PoE)
Physical	Dimensions (ØxL)	130 mm x 99 mm (5.12" x 3.90")
	Weight	350 g (0.7 lb)

ORDERING INFORMATION

Model Name	Description
ACM-3001	IP Fixed Dome Camera

ACCESSORY OPTIONS

- Wall mount kit MTB-201-R0



MTB-201-R0

* All specifications are subject to change without notice.
 * All brand names and registered trademarks are the property of their respective owners.