



ACM-7411

Megapixel IP Rugged Dome Camera

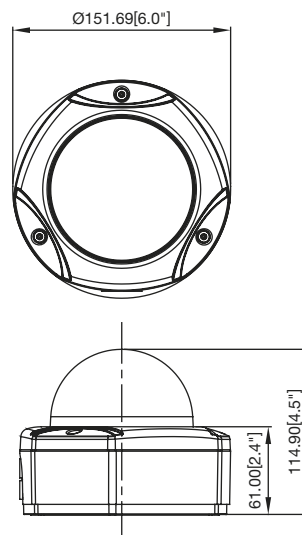


- 1/3" Micron Progressive Scan CMOS
- Day and night function with Mechanical IR Cut Filter
- Integrated f3.3~12 mm / F1.4 Megapixel lens
- 0.05 Lux at F1.4 (30 IRE, MAX AGC)
- Selectable MPEG-4 / MJPEG compression
- Up to SXGA resolution at 8 FPS
- Multi-stream with variable frame rate in the same compression
- Two-way audio supported
- Hardware motion detection, Digital Input/Output
- DC 12 V or Power over Ethernet (IEEE 802.3af) supported
- IP66 weatherproof supported
- Surface, flush and wall mount supported



- ① Ethernet Port
- ② DC 12 V Power Input
- ③ Reset Button
- ④ Audio & DIO Input / Output

DIMENSION DIAGRAM



Unit: mm [inch]



PRODUCT SPECIFICATION

| | | ACM-7411 |
|-------------------------|--------------------------|--|
| Image | Device | Micron Progressive Scan CMOS |
| | Size | 1/3 inch |
| | Effective Pixels | 1280 x 1024 |
| Min. Scene Illumination | Color | Color mode automatically switched to B/W mode under 7 Lux |
| | B/W | 0.05 Lux at F1.4 (30 IRE,MAX AGC) |
| | CDS Sensor | Yes |
| | IR Sensitivity | from 700nm to 1100 nm |
| Lens | Lens | f3.3 ~ 12 mm / F1.4 |
| | Viewing Angle | 89.8° ~ 23.9° (Horizontal) |
| Camera Angel Adjustment | X (Panning) | 0° ~360° |
| | Y (Tilting) | 0° ~180° |
| | Z (Rotating) | 0° ~360° |
| Synchronization | Sync. System | Internal |
| Day/Night Functions | Mechanical IR Cut Filter | Yes |
| Functions | Motion Detection | Yes (3 Windows) |
| | Electronic Shutter | 1/10 ~ 1/2,000 sec. (60Hz); 1/10 ~ 1/2,000 sec. (50Hz) |
| | Flickerless | 1/120 sec. (60Hz); 1/100 sec. (50Hz) |
| | BLC | Yes |
| | AGC | Automatic (User definition) |
| | White Balance | 6 Modes (AUTO,INDOOR1,INDOOR2,OUTDOOR1,OUTDOOR2, HOLD CURRENT,MANUAL) Configurable |
| S/N Ratio | S/N Ratio | Better than 44 dB |
| Video Compression | Compression | MPEG-4 SP, MJPEG selectable |
| | Picture Resolution | SXGA (1280x1024) HD 720 (1280x720) VGA (640x480) |
| | Image Frame Rate | SXGA at 8 fps HD720 at 10 fps VGA at 30 fps |
| Audio Input | Compression | 8kHz, Mono, PCM |
| | Audio Line Input | Unbalanced, 1.4Vp-p, 1Vrms, terminal block |
| Audio Output | Compression | 8kHz, Mono, PCM |
| | Audio Line Output | Unbalanced, 1.4Vp-p, 1Vrms, terminal block |
| Alarm | Digital Input | 1, terminal block |
| | Transistor Output | 1, terminal block |
| External I/O | Reset Button | Factory default |
| Casing | IP66 Rated | Weatherproof casing with IP66 standard |
| | Vandal Proof | Vandal proof supports, durability up to 702 KgF |
| | Mount Types | Surface / Flush / Wall |
| Network | Ethernet | Ethernet (10/100 Base-T), RJ45 Connector |
| | Protocol | TCP, UDP, IP, HTTP, DHCP, PPPoE, RTP, RTSP,FTP,SMTP,DNS,DDNS,NTP,ICMP,IGMP,ARP,3GPP |
| Software | Web Browser | Microsoft Internet Explorer 6.0 or above |
| | SDK | ACTi SDK-10000 |
| Operating | Security | Password protection: configured by the administrator |
| | Heater / Fan | Yes (built-in) |
| | Temperature | -30 °C ~ 50 °C (-22 °F ~ 122 °F) for DC 12 V; -5 °C ~ 50 °C (7 °F ~ 122 °F) for PoE |
| Power | Power Requirement | PoE (IEEE802.3af) with Class 3 |
| | Power Consumption | 3.4 W (DC 12 V) w/o Heater & Fan 13.2 W (DC 12 V) w/ Heater ON & Fan ON 4.4 W (PoE) w/o Heater & Fan |
| Physical | Dimensions (WxHxD) | 151.69 mm x 114.9 mm (6.0" x 4.5") |
| | Weight | 1040 g |

ORDERING INFORMATION

| Model Name | Description |
|------------|--------------------------|
| ACM-7411 | Megapixel IP Rugged Dome |

ACCESSORY OPTIONS

- Wall mount kit R695-00019-001
- Flush mount kit R695-00020-000



R695-00019-001



R695-00020-000

* All specifications are subject to change without notice.
* All brand names and registered trademarks are the property of their respective owners.