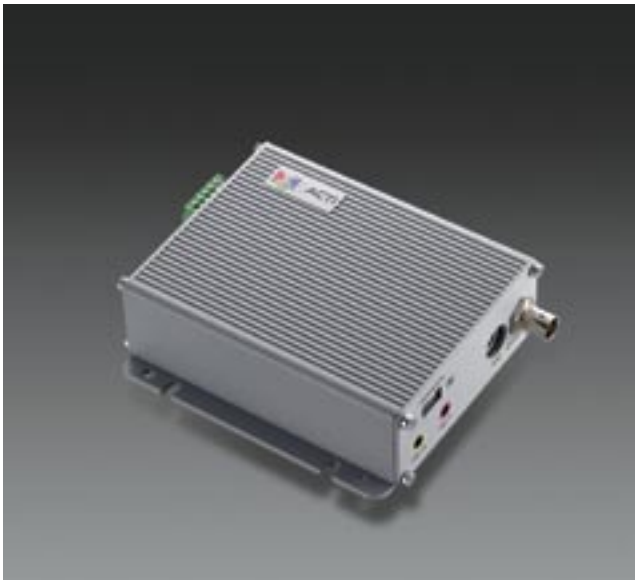
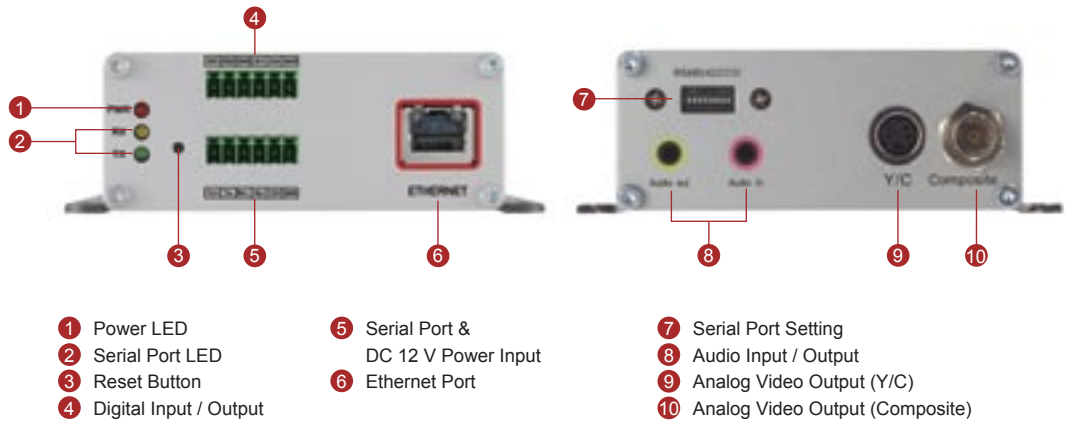


ACD-3100

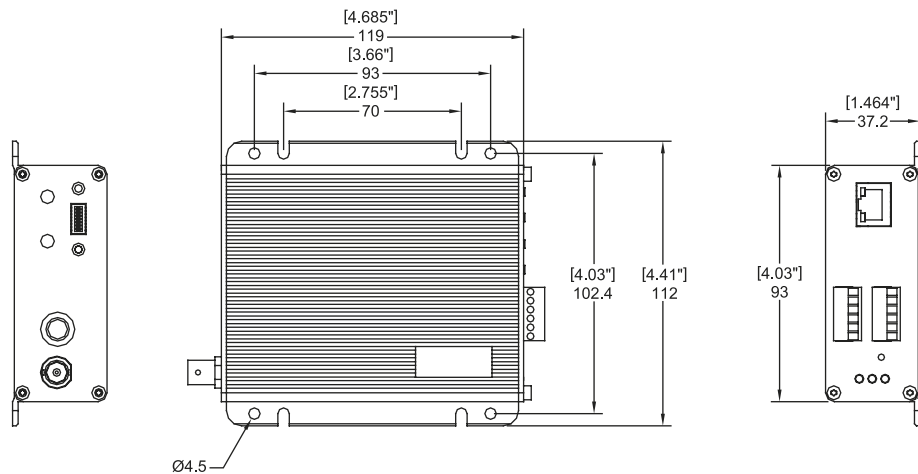
Video Decoder with Two Way Audio



- Full D1 MPEG-4 video decoding at 30/25 FPS
- Digital time code retrieved
- Two way audio supported
- Hardware motion detection, Digital Input / Output



DIMENSION DIAGRAM



Unit: mm [inch]

**PRODUCT SPECIFICATION**

Video		External I/O	
Decompression	MPEG-4 ASP, SP decompression	Reset Button	Factory default
Picture Resolution	Full D1 (720x480 in NTSC, 720x576 in PAL)	LED	System status
Bit Rate	28 K ~ 3 M bps	Network	
Image Frame Rate	30 fps at full D1 resolution (NTSC); 25 fps at full D1 resolution (PAL)	Ethernet Port	Ethernet (10/100Base-T), RJ-45 connector
Video Output	CVBS, 1.0Vp-p with 75 Ω loading, BNC connector; Y/C, 1.0Vp-p with 75 Ω loading/0.286Vp-p with 75 Ω loading, S connector	Protocol	TCP, UDP, IP, HTTP, DHCP, PPPoE, RTP, RTSP, DNS, DDNS, ICMP, ARP
Audio Input		Software	
Compression	8kHz, Mono, PCM	Web Browser	Microsoft Internet Explorer 6.0 or above
Audio Line Input	Unbalanced, 1.4 Vp-p, 1Vrms, 3.5 mm Phone Jack	SDK	URL command
Audio Output		Security	Password protection: configured by the administrator
Compression	8kHz, Mono, PCM	Operating	
Audio Line Output	Unbalanced, 1.4 Vp-p, 1Vrms, 3.5 mm Phone Jack	Temperature	0 °C ~ 50 °C (32 °F ~ 122 °F)
Alarm		Power	
Input	2, TTL, terminal block	Power Requirement	DC 12 V ±10%
Output	2, TTL, terminal block	Power Consumption	3.8 W
Remote Control		Physical	
Serial Port	RS-485: half duplex, terminal block RS-422: full duplex, terminal block RS-232: full duplex, terminal block	Dimensions	112 mm x 37.2 mm x 119 mm (4.41" x 1.46" x 4.68")
		Weight	350 g (0.66 lb)

ORDERING INFORMATION

Model Name	Description
ACD-3100	MPEG-4 Video Decoder